

MATERIALS:

PLASTIC HOUSING: ENGINEERING THERMOPLASTIC

FLAMMABILITY RATING UL 94V-0.

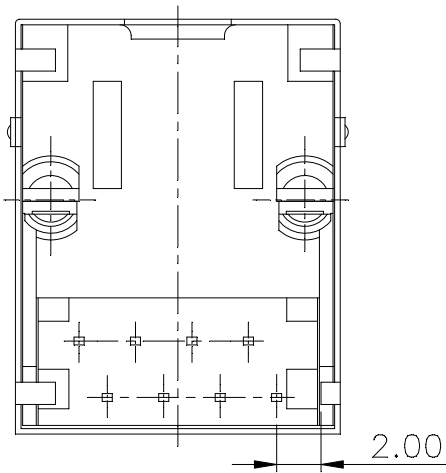
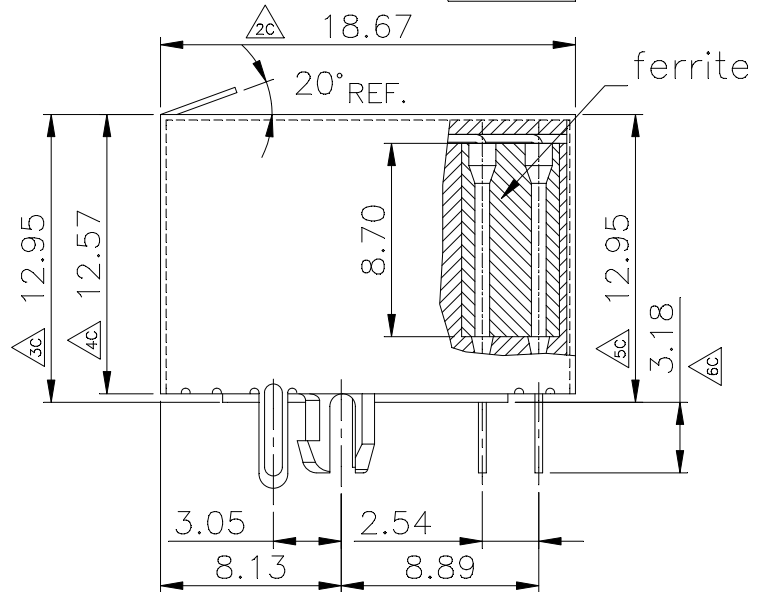
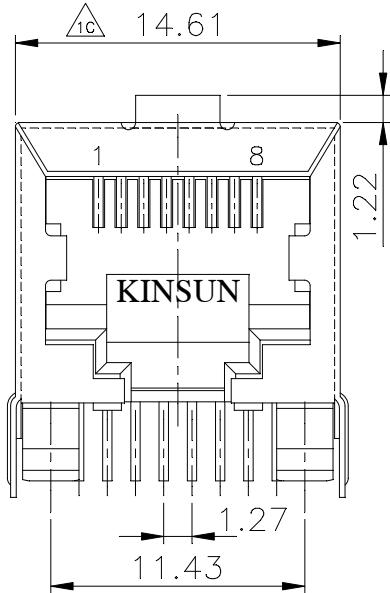
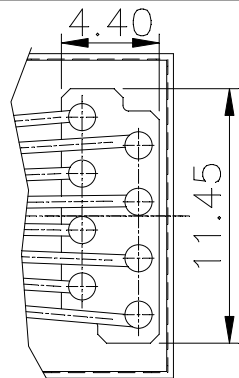
CONTACTS: PHOSPHOR BRONZE

PLATING: GOLD PLATING OVER NICKEL IN CONTACT.

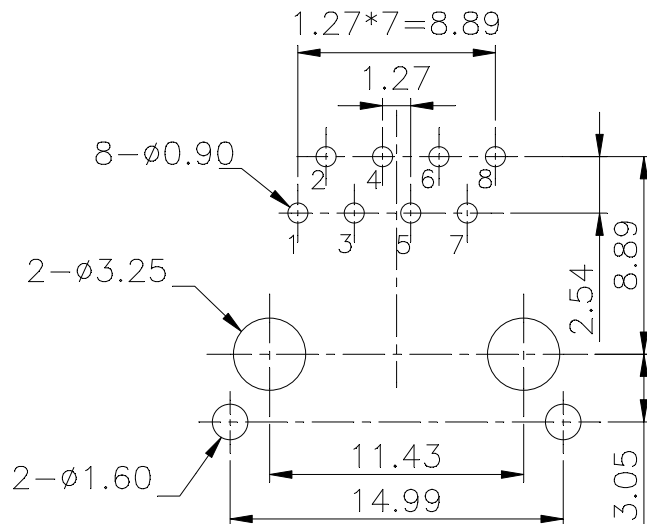
TIN PLATING OVER NICKEL IN SOLDER AREA.

SHIELDED: BRASS WITH NICKEL PLATED

RoHS COMPLIANT



PCB LAYOUT/TOP VIEW



6u" P/N 3010657102

15u" P/N 3010657202

30u" P/N 3010657302

50u" P/N 3010657402

※ 凡標註△記號者,為品管檢驗之尺寸

設計DR. LILY 2010-08-26	核准APPD. Jerry 2010-08-26	容許公差 .XXX ±0.10 .XX ±0.25 .X ±0.38 X ±0.50 ANG ±3°	TOLERANCE	品名 ARTICLE SIDE ENTRY PCB JACK(8P8C ferrite)
版本說明 REVISION NOTE		依設備通知單NO:3010-010 KS改為KINSUN,發C版		圖號 DWG NO. 3010657102
				單位 UNIT mm 比例 SCALE 3/1 張數 SHEET 1/1 版本 REV. C