

MATERIALS:

PLASTIC HOUSING: ENGINEERING THERMOPLASTIC
 FLAMMABILITY RATING UL 94V-0.

RoHS COMPLIANT

INSERT: ENGINEERING THERMOPLASTIC
 FLAMMABILITY RATING UL 94V-0.(COLOR GRAY)

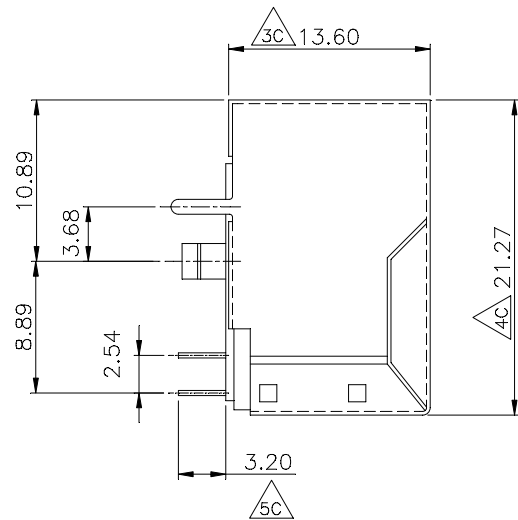
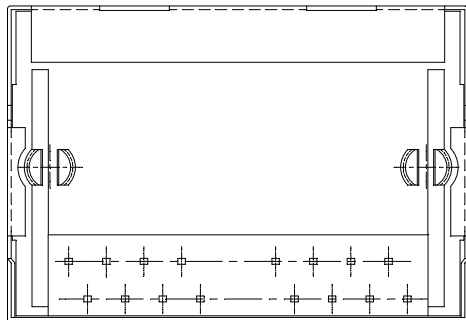
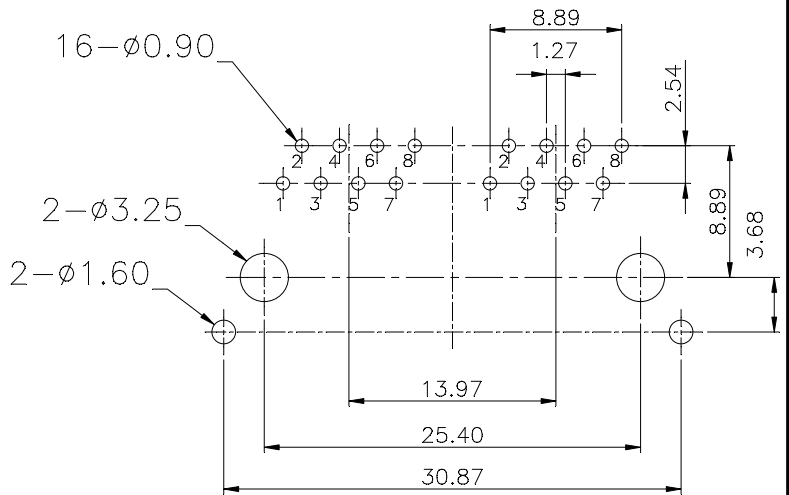
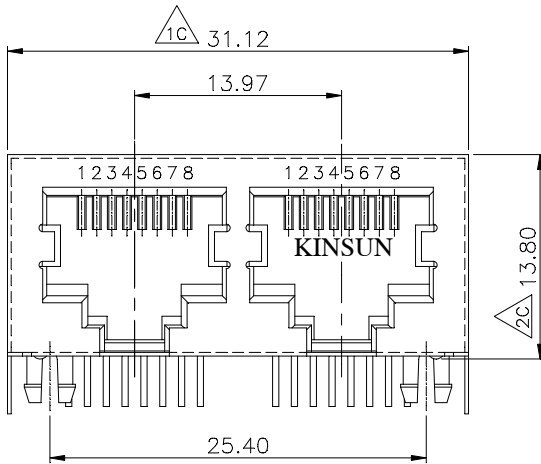
CONTACTS: 0.35mm THICKNESS PHOSPHOR BRONZE

PLATING: GOLD PLATING OVER NICKEL IN CONTACT.

TIN PLATING OVER NICKEL IN SOLDER AREA.

SHIELDED: BRASS WITH NICKEL PLATED

PCB LAYOUT/TOP VIEW



15u" P/N 30122B5711

※ 凡標註△記號者,為品管檢驗之尺寸

設計DR. Kathy Chung 2009-08-05	核准APPD. Jerry 2009-08-05	容許公差 .XXX ±0.10 .XX ±0.25 .X ±0.38 X ±0.50 ANG ±3°	TOLERANCE	品名 ARTICLE 1*2PORTS PCB C.5 JACK(8P8C)
版本說明 REVISION NOTE				圖號 DWG NO. 30122B5711
KINSUN		單位 UNIT 比例 SCALE 張數 SHEET 版本 REV.		mm 2/1 1/1 A