

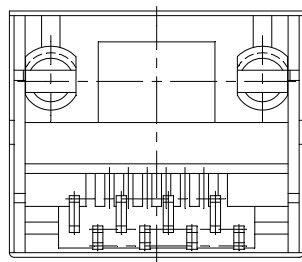
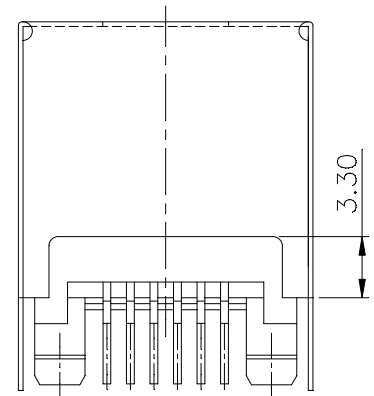
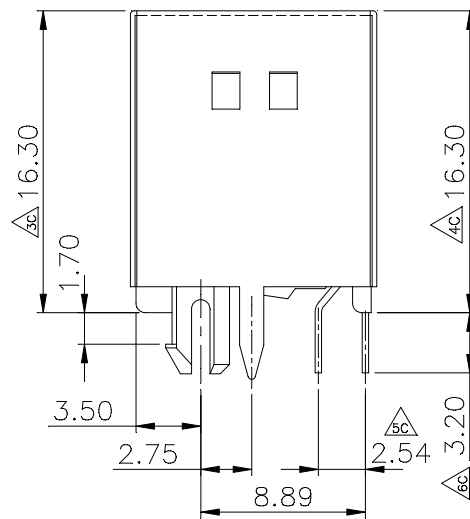
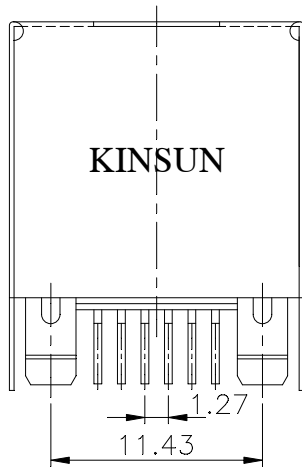
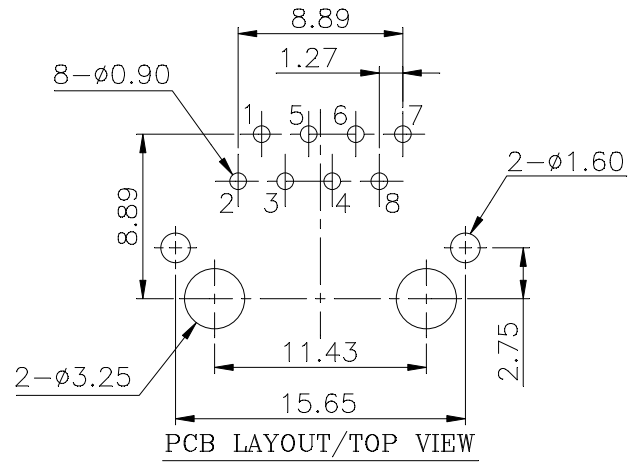
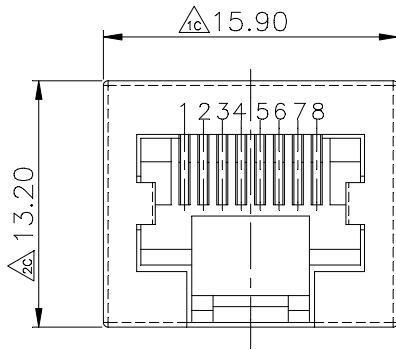
MATERIALS:

PLASTIC HOUSING: ENGINEERING THERMOPLASTIC
 FLAMMABILITY RATING UL 94V-0.

CONTACTS: PHOSPHOR BRONZE

PLATING: GOLD PLATING OVER NICKEL IN CONTACT.
 TIN PLATING OVER NICKEL IN SOLDER AREA.

SHIELD: BRASS PLATING NICKEL ALLOY.



BOM NO.

- 6u" : 3017687109
- 15u" : 3017687209
- 30u" : 3017687309
- 50u" : 3017687409

※ 凡標註△記號者,為品管檢驗之尺寸

設計DR. Vinson Liao 95-01-02	核准APPD. Jerry 95-01-02	容許公差 TOLERANCE .XXX ±0.10 .XX ±0.25 .X ±0.38 X ±0.50 ANG ±3°	品名 ARTICLE TOP ENTRY PCB JACK SHIELDED CAT.5
版本說明 REVISION NOTE 增加閃高壓底逃邊			圖號 DWG NO. 3017687109
			單位 UNIT mm
			比例 SCALE 2.5/1
			張數 SHEET 1/1
			版本 REV. B