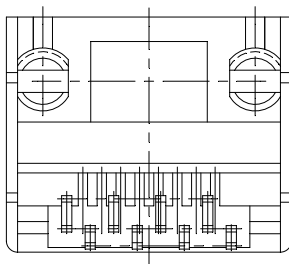
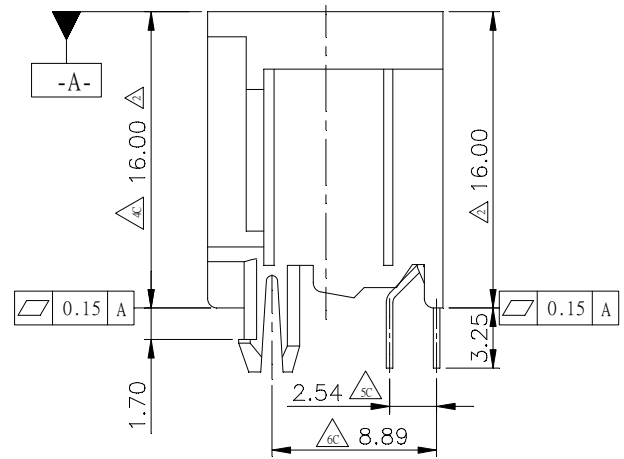
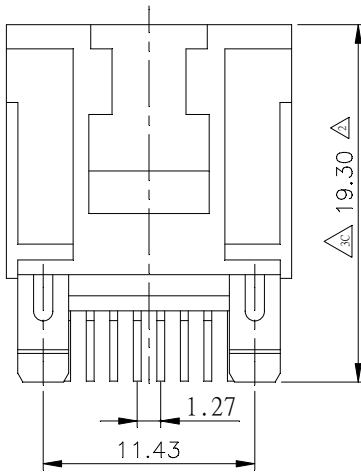
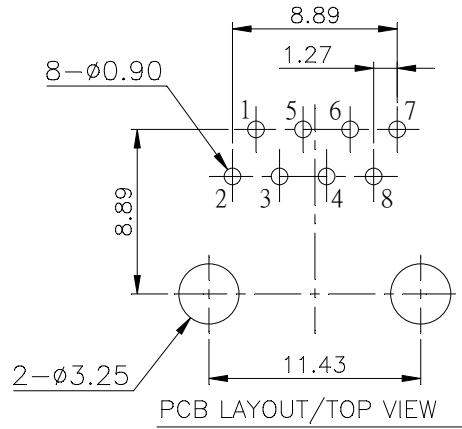
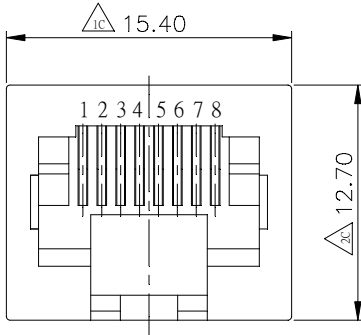


MATERIALS:

PLASTIC HOUSING: ENGINEERING THERMOPLASTIC
 FLAMMABILITY RATING UL 94V-0.
 COLOR : WHITE

RoHS COMPLIANT

CONTACTS: PHOSPHOR BRONZE
 PLATING: GOLD PLATING OVER NICKEL IN CONTACT.
 TIN PLATING OVER NICKEL IN SOLDER AREA.
 SHIELDED: BRASS WITH NICKEL PLATED



BOM NO.
 30u" : 3017885800

※ 凡標註△記號者,為品管檢驗之尺寸

| | | | | |
|----------------------------------|------------------------------|---|-----------|--|
| 設計DR. Vinson Liao 97-10-24 | 核准APPD. Jerry 97-10-24 | 容許公差 .XXX ±0.10 .XX ±0.25 .X ±0.38 X ±0.50 ANG ±3° | TOLERANCE | 品名 ARTICLE TOP ENTRY PCB JACK(P.C.B T=1.6mm)CAT.5 |
| 版本說明 REVISION NOTE | | 圖號 DWG NO. 3017885800 | | 單位 UNIT mm |
| ----- | | KINSUN | | 比例 SCALE 3/1 |
| | | 圖號 DWG NO. 3017885800 | | 張數 SHEET 1/1 |
| | | 單位 UNIT mm | | 版本 REV. A |

