

**MATERIALS:**

PLASTIC HOUSING: ENGINEERING THERMOPLASTIC

FLAMMABILITY RATING UL 94V-0.

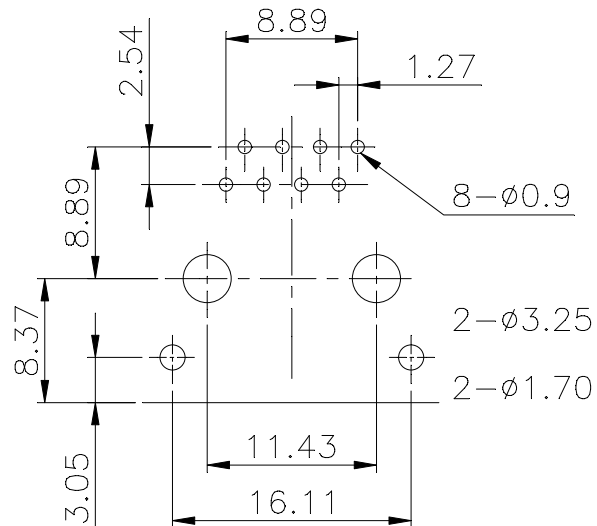
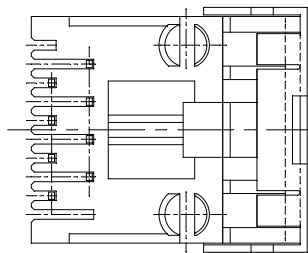
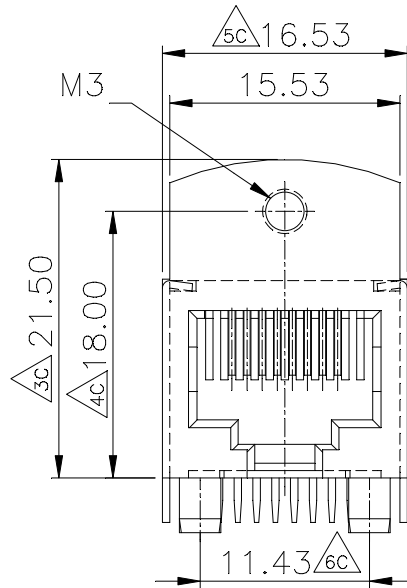
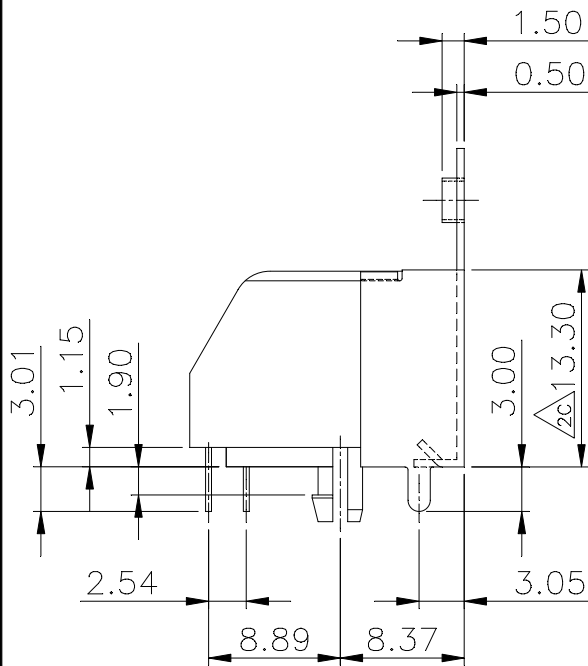
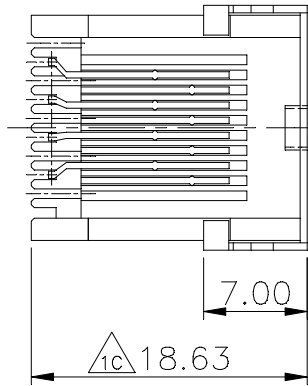
COLOR: BLACK

CONTACTS: PHOSPHOR BRONZE

PLATING: GOLD PLATING OVER NICKEL IN CONTACT.

TIN PLATING OVER NICKEL IN SOLDER AREA.

SHIELD: BRASS PLATING TIN/LEAD ALLOY.



PCB LAYOUT/TOP VIEW

設計 DR.

Andy

88-10-13

核准 APPD.

Jerry

92-12-18

容許公差

.XXX

.XX

.X

X

ANG

TOLERANCE

±0.10

±0.25

±0.38

±0.50

±3°

品名

ARTICLE SIDE ENTRY PCB JACK

圖號

DWG NO. 3019895604

單位 UNIT

mm

比例 SCALE

2/1

張數 SHEET

1/1

版本 REV.

A



KINSUN

慶陞

