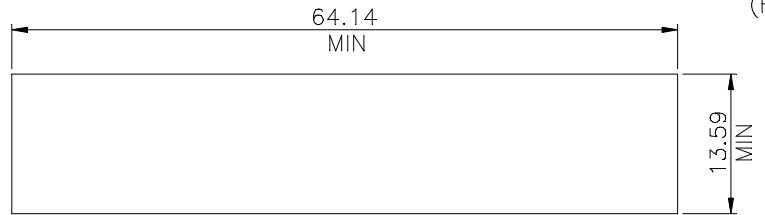
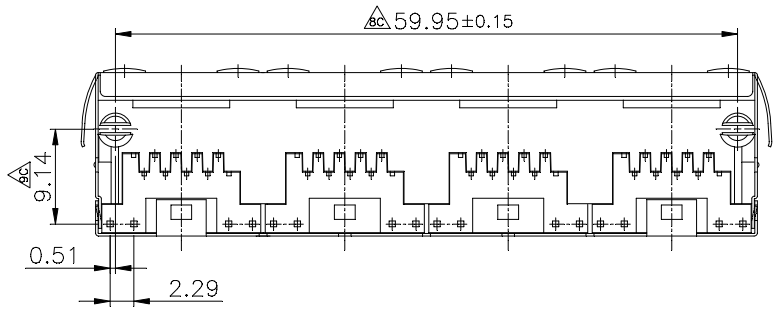
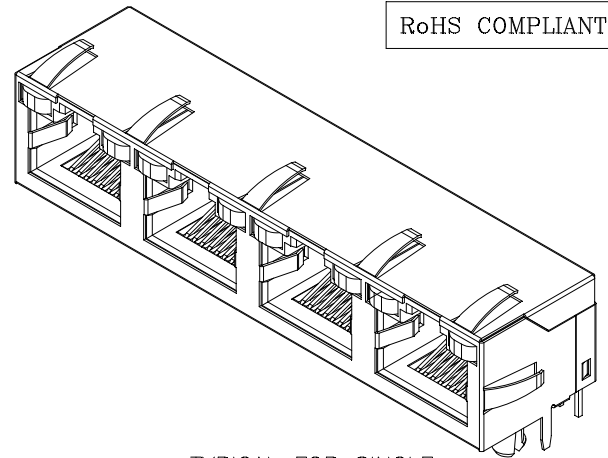
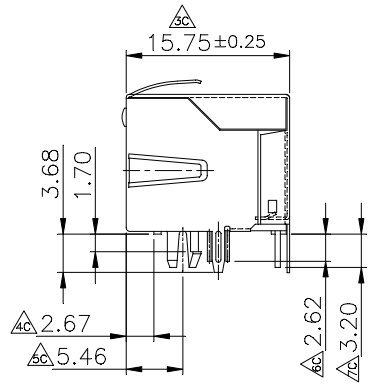
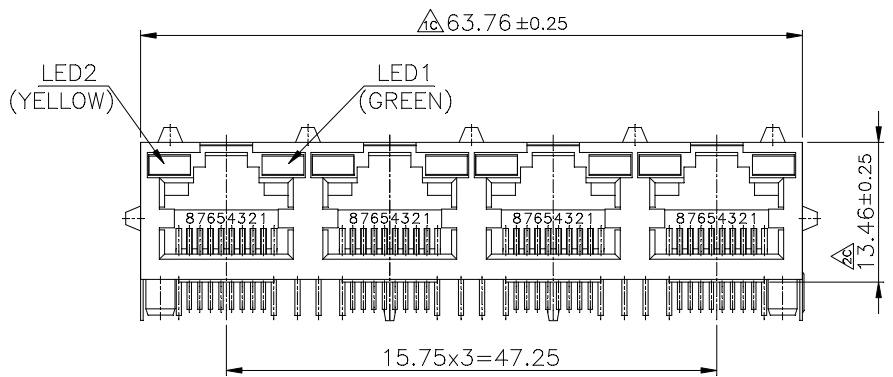
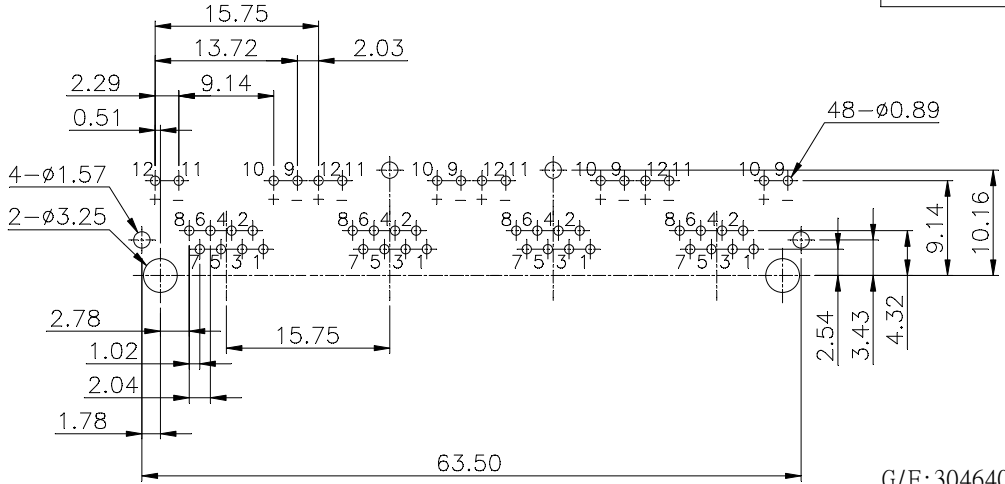
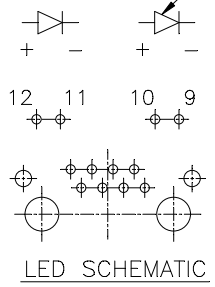


RoHS COMPLIANT



TYPICAL FOR SINGLE COLOR LED (RED, GREEN, YELLOW)



RECOMMENDED PANEL CUTOUT

MATERIALS:

- PLASTIC HOUSING: ENGINEERING THERMOPLASTIC  
FLAMMABILITY RATING UL 94V-0.
- CONTACTS: PHOSPHOR BRONZE
- PLATING: GOLD PLATING OVER NICKEL IN CONTACT,  
TIN PLATING OVER NICKEL IN SOLDER AREA.
- SHIELD: BRASS PLATING NICKEL ALLOY.

\*凡標註 △ 記號者為品管管制尺寸。

- G/F: 3046405501
- 6u": 3046405601
- 15u": 3046405701
- 30u": 3046405801
- 50u": 3046405901

DR. Kathy Chung 2012/09/25	APPD. Jerry 2012/09/25	TOLERANCE .XXX ±0.10 .XX ±0.25 .X ±0.38 X ±0.50 ANG ±3°	ARTICLE 3046S 4PORT 8P8C JACK W/LED(Y-G) DWG NO. 3046405601
REVISION NOTE 依設備通知原3u"變更為G/F, 圖面發G版。		UNIT mm SCALE 2/1 SHEET 1/1	REV. G

