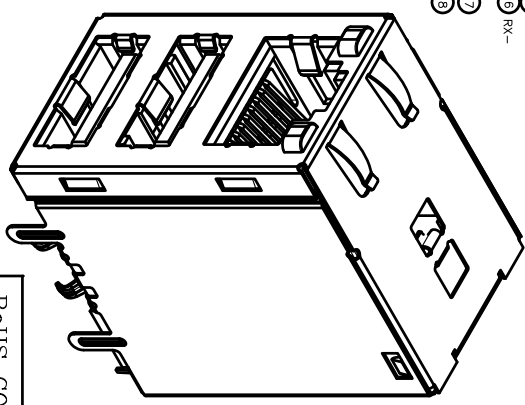
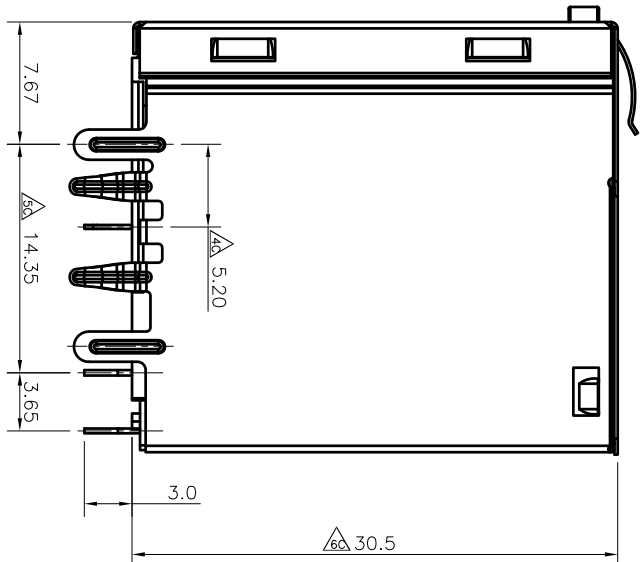
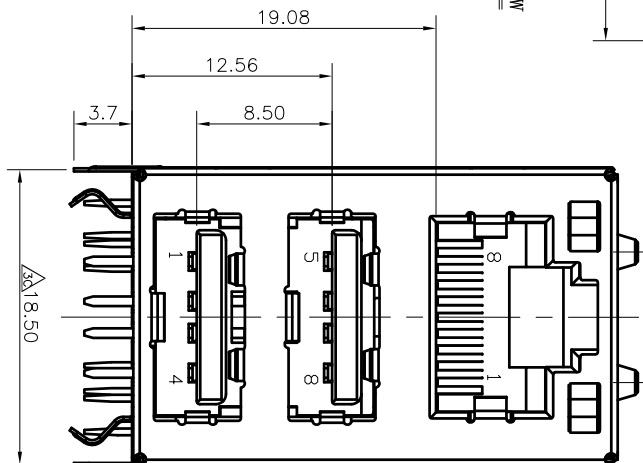
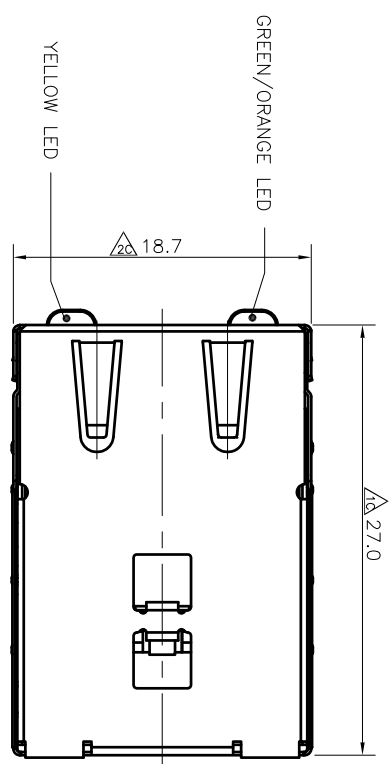
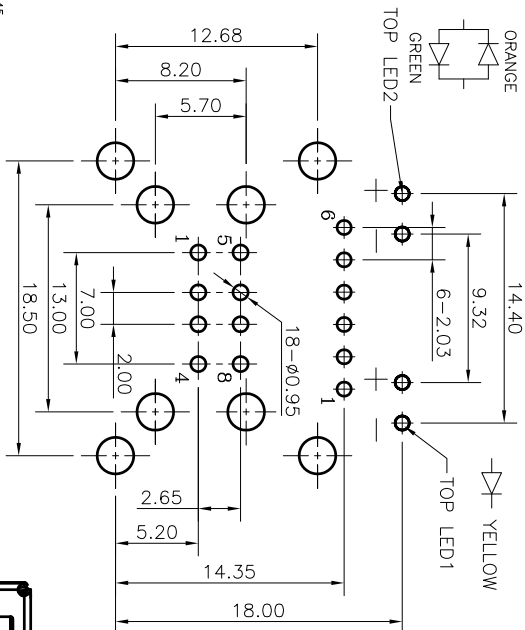
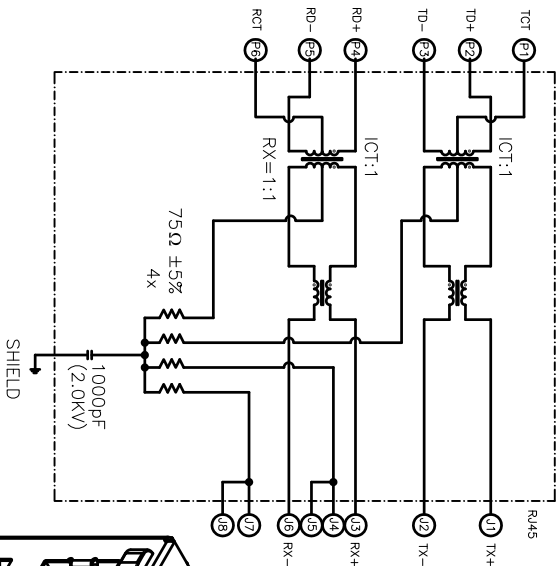


ELECTRICAL CHARACTERISTICS @ 25°C

TURNS RATIO	ICT: 1
TX	ICT: 1
RX	
OCL: @100KHz/100mVrms	350uH MIN
8mA DC BIAS	
INS. LOSS	-1.0dB MAX
1MHz TO 100MHz	
RET LOSS(MIN)	-18dB
1MHz-30MHz	
30MHz-60MHz	-18+200LOG(F/30MHz)dB
60MHz-80MHz	-12dB
CROSS TALK (TX - RX)	
50KHz-100MHz	-35dB MIN
CM TO CM RET	-30dB MIN
100KHz-100MHz	
CM TO DM RET	-40dB MIN
100KHz-100MHz	
HIPOT (Isolation voltage):	1500Vrms



RoHS COMPLIANT

※凡標註△記號者，為品管檢驗之尺寸。

**MATERIALS:**  
 HOUSING: Thermoplastic, UL 94V-0. Color Black.  
 CONTACTS: Phosphor Bronze.  
**PLATING:**  
 (1) Gold Plating Over Nickel In Contact.  
 (2) Tin Plating Over Nickel In Solder Area.  
**SHIELD:** Metal nickel-plated.  
**MECHANICAL:**  
 DURABILITY: 1500 Mating Cycles.  
 P/N: 3501A14001 (Contact Plating: 3u" (USB) & 6u" (R45) min.)

設計 DR. Marco	核准 JERRY	容許公差	TOLERANCE	品名	MODULE JACK R45 OVER DUAL USB
版本說明 依 E302-1301011 新增規格	REVISION NOTE	.XXX ±0.10	±0.10	圖號	3501A14001
		.XX ±0.25	±0.25	單位	mm
		.X ±0.38	±0.38	比例	1/3
		ANG ±3°	±3°	振數	1/1
				版本	REV. A

