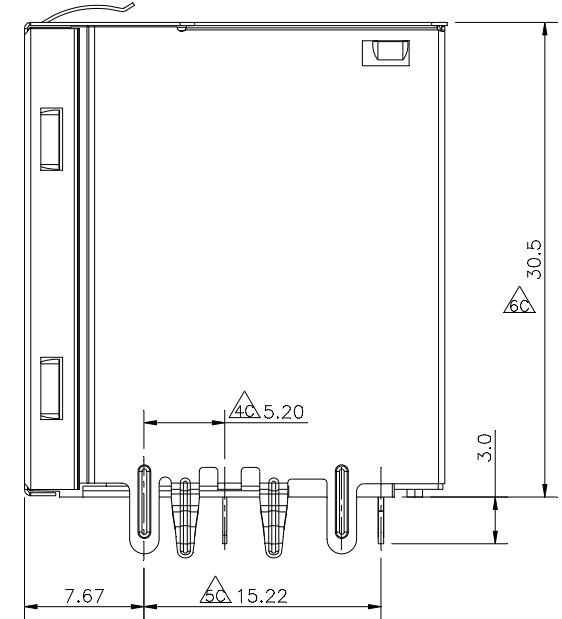
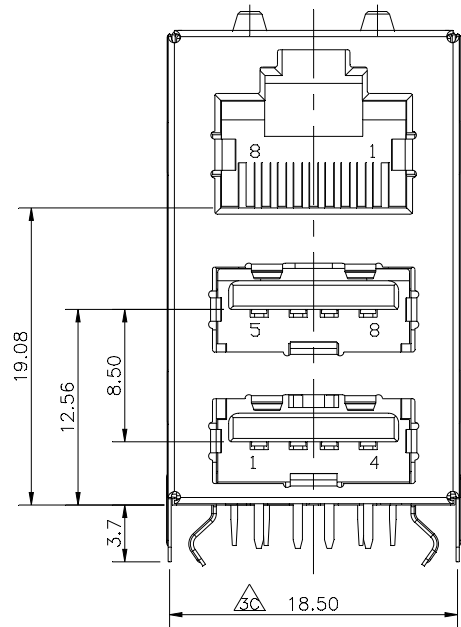
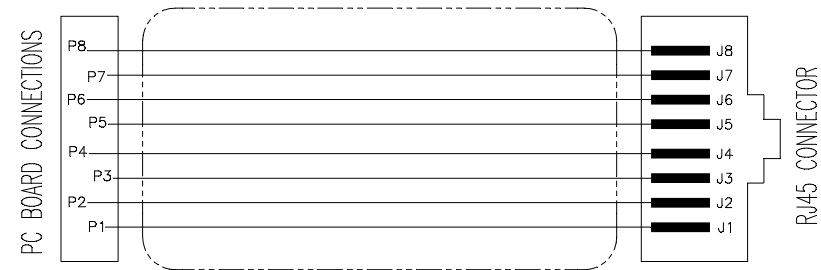
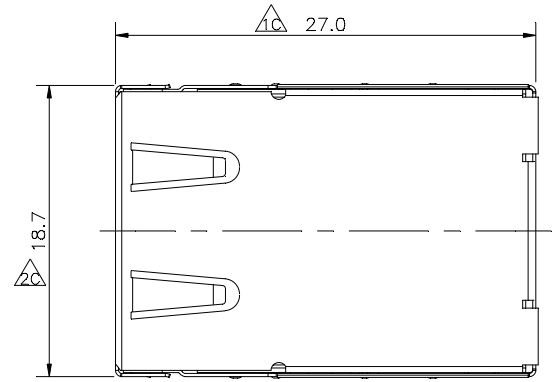


PCB LAYOUT/TOP VIEW



MATERIALS:  
 HOUSING: THERMOPLASTIC,UL 94V-0. COLOR BLACK.  
 CONTACTS: PHOSPHOR BRONZE.  
 PLATING: GOLD PLATING OVER NICKEL IN CONTACT.  
 TIN PLATING OVER NIKEL IN SOLDER AREA.  
 SHIELD: METAL NICKEL-PLATED..

MECHANICAL:  
 DURABILITY: 1500 MATING CYCLES.

P/N  
 3501S14200 ((Contact Plating:3u"(USB)&6u"(RJ45)min.))

RoHS COMPLIANT

※凡標註記號者，為品管檢驗之尺寸

設計DR. Damon 2013.02.19	核准APPD. Marco 2013.02.19	容許公差 .XXX ±0.10 .XX ±0.25 .X ±0.38 X ±0.50 ANG ±3'	TOLERANCE	品名 ARTICLE MODULE JACK_RJ45 OVER DUAL USB
版本說明 REVISION NOTE		圖號 DWG NO. 3501S14200		單位 UNIT mm
KINSUN		比例SCALE 1/3		張數SHEET 1/1
		版本 REV. A		